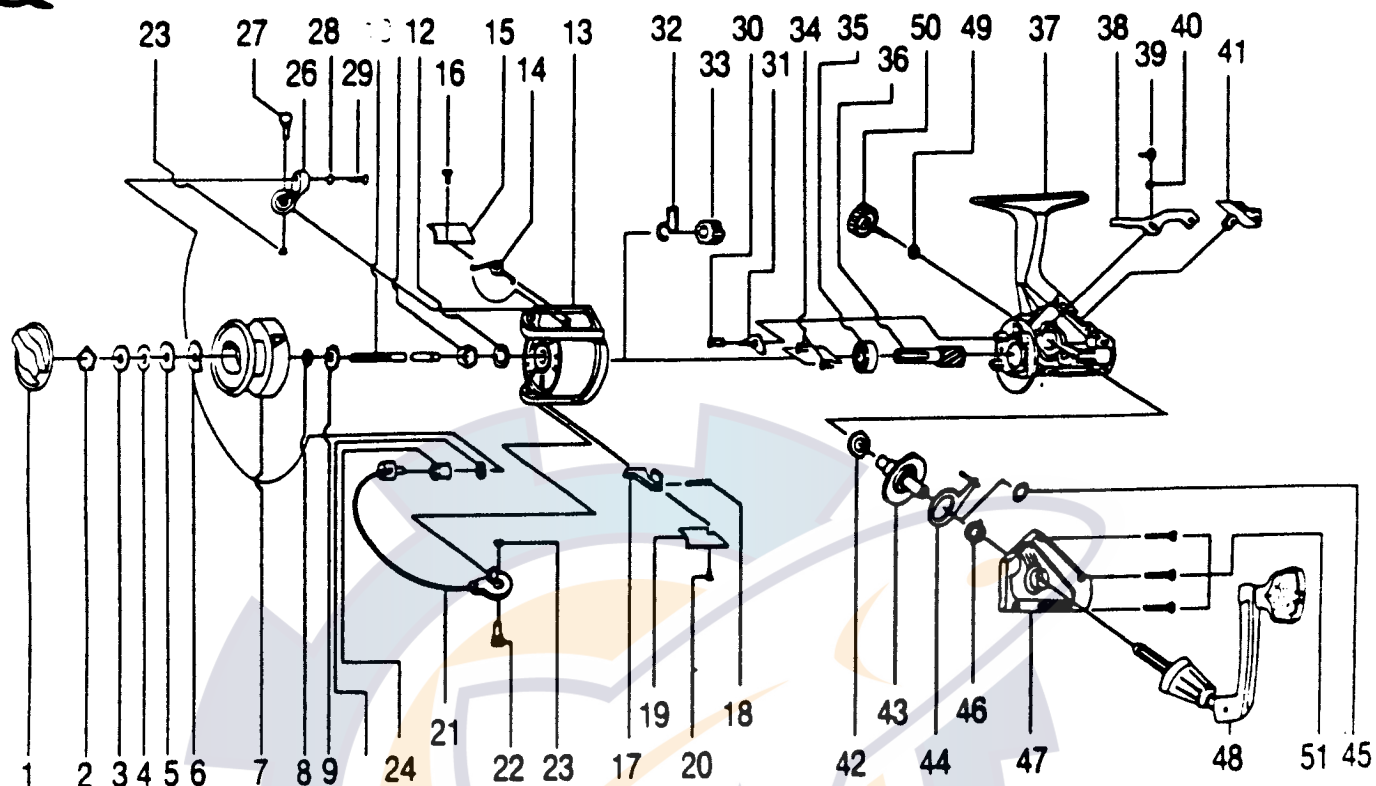


QUANTUM QL2N



KEY PART NO. NO.	DESCRIPTION	PRICE	KEY PART NO. NO.	DESCRIPTION	PRICE
1 MQ032	DRAG KNOB	4.02	27 MQ051	ARM LEVER PIN	1.32
2 MQ038	SPOOL RING	.64	28 MQ102	BAIL WASHER	.29
3 MQ050	SPOOL WASHER "D"	.92	29 MQ108	BAIL SCREW	.58
4 MQ033	SPOOL WASHER "B"	.85	30 MQ110	A/R STOPPER SCREW	.52
5 MQ029	SPOOL WASHER "A"	.92	31 MQ084	A/R STOPPER	1.00
6 MQ147	SPOOL SPRING WASHER	1.14	32 MQ086	SLIDING SPRING	.85
7 MQ321	SPOOL ASSY. (KEYS 2-7)	5.68	33 MQ060	RACKET GEAR	2.87
8 MQ030	SPOOL ADJ. WASHER	.64	34 MQ080	BEARING SCREW	1.14
9 MQ037	CLICK GEAR	.85	35 MQ028	BALL BEARING	9.59
10 MQ015	MAIN SHAFT	4.02	36 MQ011	PINION GEAR	4.55
11 MQ006	ROTOR NUT	.92	37 MQ001	BODY	10.82
12 MQ065	ROTOR RETAINER WASHER	.69	38 MQ063	A/R CAM	1.39
13 MQ009	ROTOR	5.90	39 MQ083	A/R CAM SCREW	.39
14 MQ022	BAIL SPRING	.92	40 MQ091	A/R CAM BUSHING	.92
15 MQ087	BAIL SPRING COVER	1.03	41 MQ090	A/R LEVER	.92
16 MQ085	COVER SCREW	.52	42 MQ013	BODY BUSHING	1.24
17 MQ019	KICK LEVER	1.61	43 MQ012	DRIVE GEAR	4.87
18 MQ049	KICK LEVER SPRING	.39	44 MQ325	O/S SLIDER ASSY	2.98
19 MQ024	KICK LEVER COVER	.98	45 MQ026	DRIVE GEAR ADJ. WASHER	.46
20 MQ085	COVER SCREW	.52	46 MQ013	BODY BUSHING	1.24
21 MQ347	BAIL ASSY	4.02	47 MQ023	BODY COVER	5.46
22 MQ044	BAIL HOLDER PIN	1.14	48 MQ318	HANDLE ASSY	9.05
23 MQ034	E-CLIP	.29	49 MQ105	HANDLE SCREW CAP WASHER	.52
24 MQ004	LINE ROLLER	2.41	50 MQ073	HANDLE SCREW CAP	1.98
25 MQ017	BAIL COLLAR	1.14	51 MQ087	BODY COVER SCREW	.59
26 MQ007	ARM LEVER	1.14			

*For reels produced after 7/90.

Prices subject to change without notice. Prices do not include postage and handling.

PLEASE ORDER BY PART NUMBER

Rev. 11/90

Zebco Division Brunswick Corporation, Box 270, Tulsa, OK 74101 USA 918-836-6581



BRUNSWICK